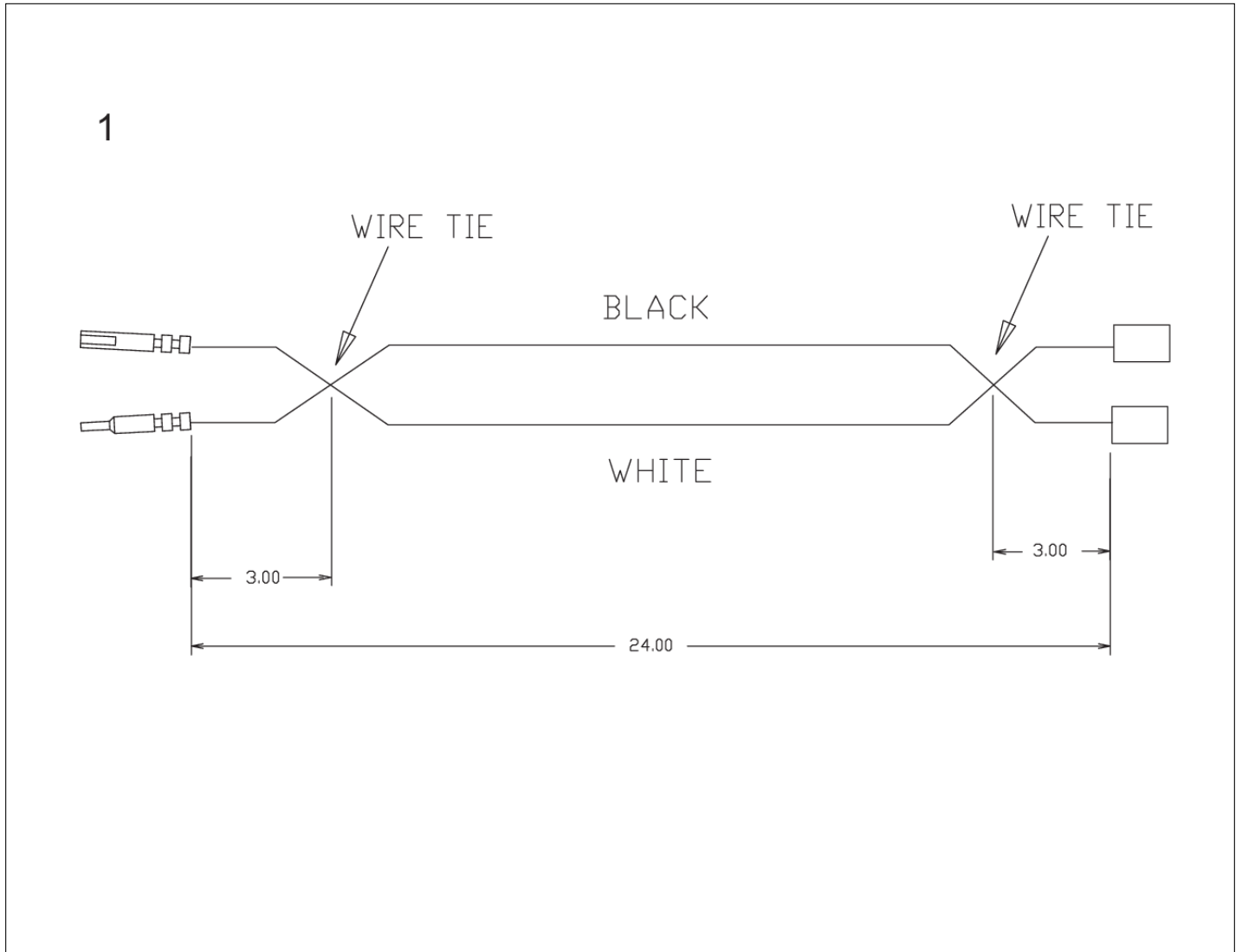


VGRT482-6GAFTER07-09-07

000837-000	1
000878-000	2
000879-000	3
BURNER BOX INTERIOR	4
CONTROL AREA	5
DRIP TRAY	6
GRIDDLE SUBASSEMBLY	7
IGNITER WIRES	8
PE070891	9
SURFACE COOKING AREA	10
Appendix A:Pages Index	A
Appendix B:Parts Index	B



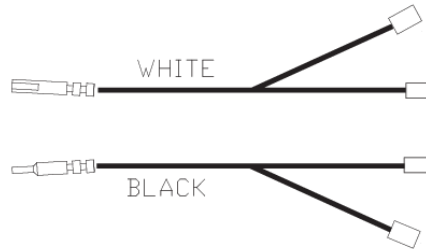
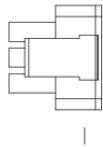
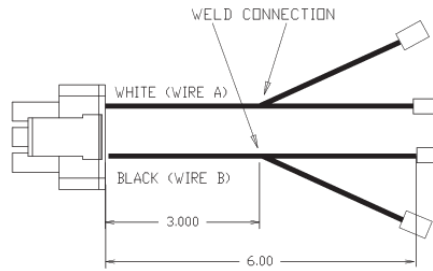


Item	Part No.	Name	Qty	Uom	NOTES
1	000837-000	VGRT SUPPLY CORD JUMPER	1	EA	Not available online / Call for pricing and availability
Not Shown	NOTE	(BEFORE 10/4/11)		EA	
NI	027347-000	SUPPLY CORD JUMPER	1	EA	
Not Shown	NOTE	(ON OR AFTER 10/4/11)		EA	

1

A = POSITION 6.

B = POSITION 4





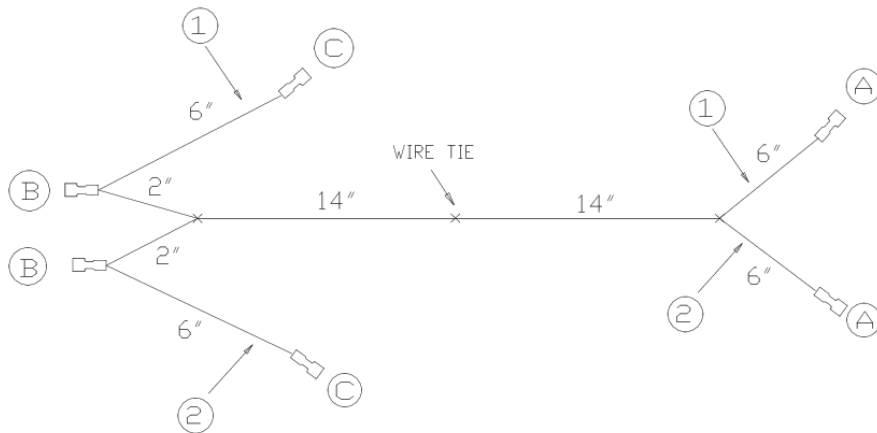
Item	Part No.	Name	Qty	Uom	NOTES
1	000878-000	IRIS POWER JUMPER W/GRIDDLE - NLA	1	EA	NO LONGER AVAILABLE

1

① = BLACK WIRE

② = WHITE WIRE

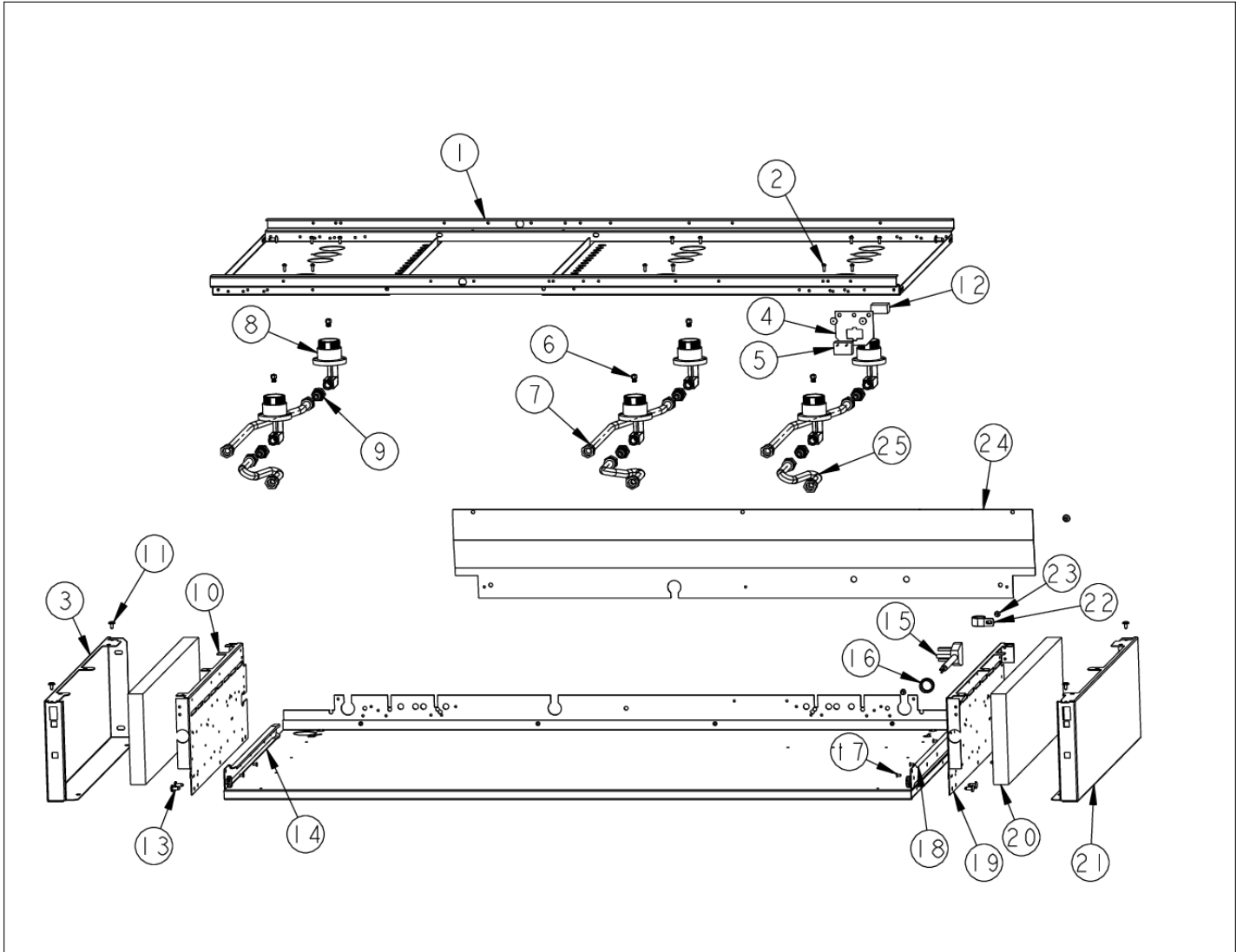
	QTY	DESCRIPTION
A	2	250 X .032 INSULATED FEMALE QUICK CONNECT
B	2	250 X .032 INSULATED FEMALE QUICK CONNECT
C	2	187 X .032 INSULATED FEMALE QUICK CONNECT





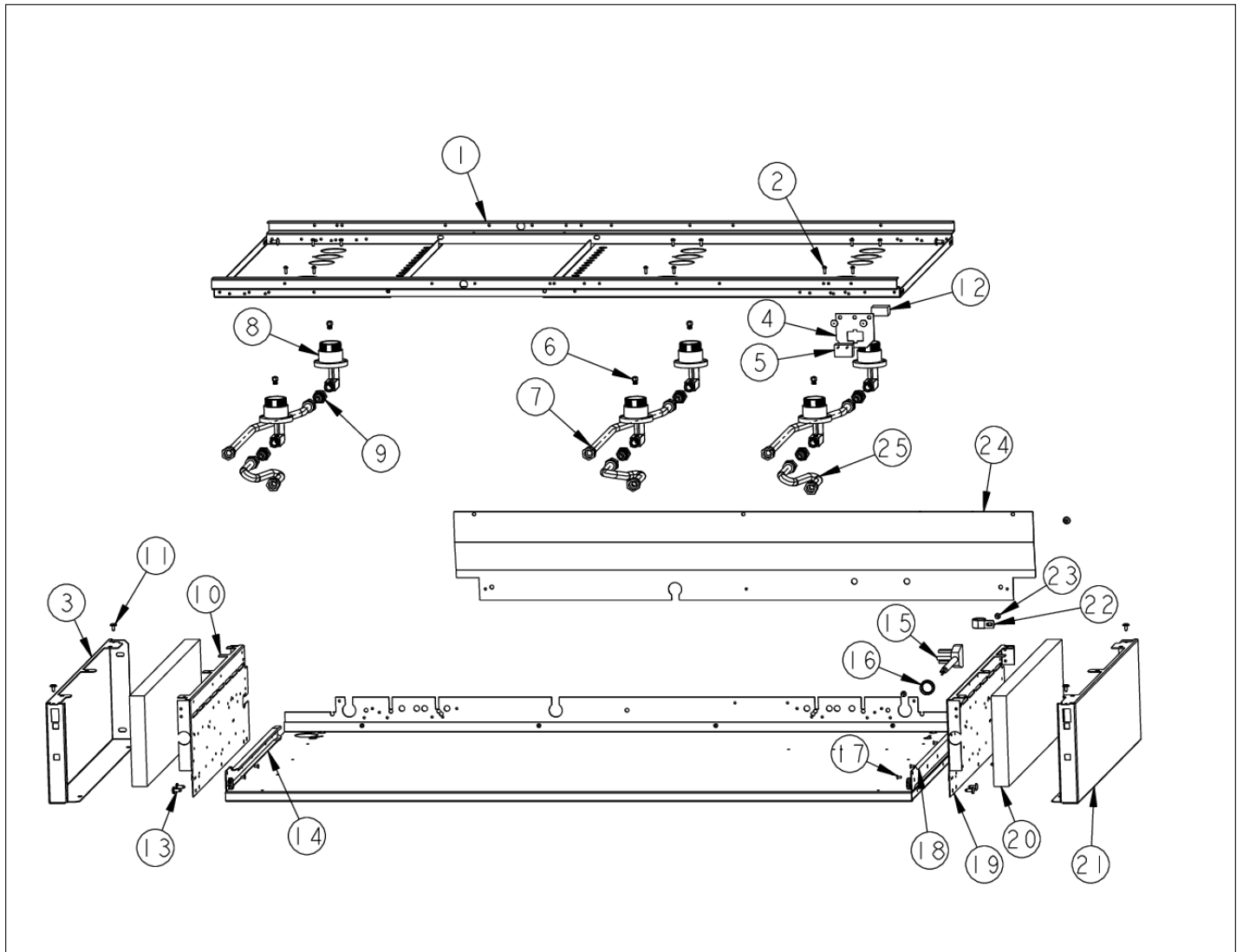
Item	Part No.	Name	Qty	Uom	NOTES
1	000879-000	GRIDDLE HARNESS W/IRIS	1	EA	

BURNER BOX INTERIOR





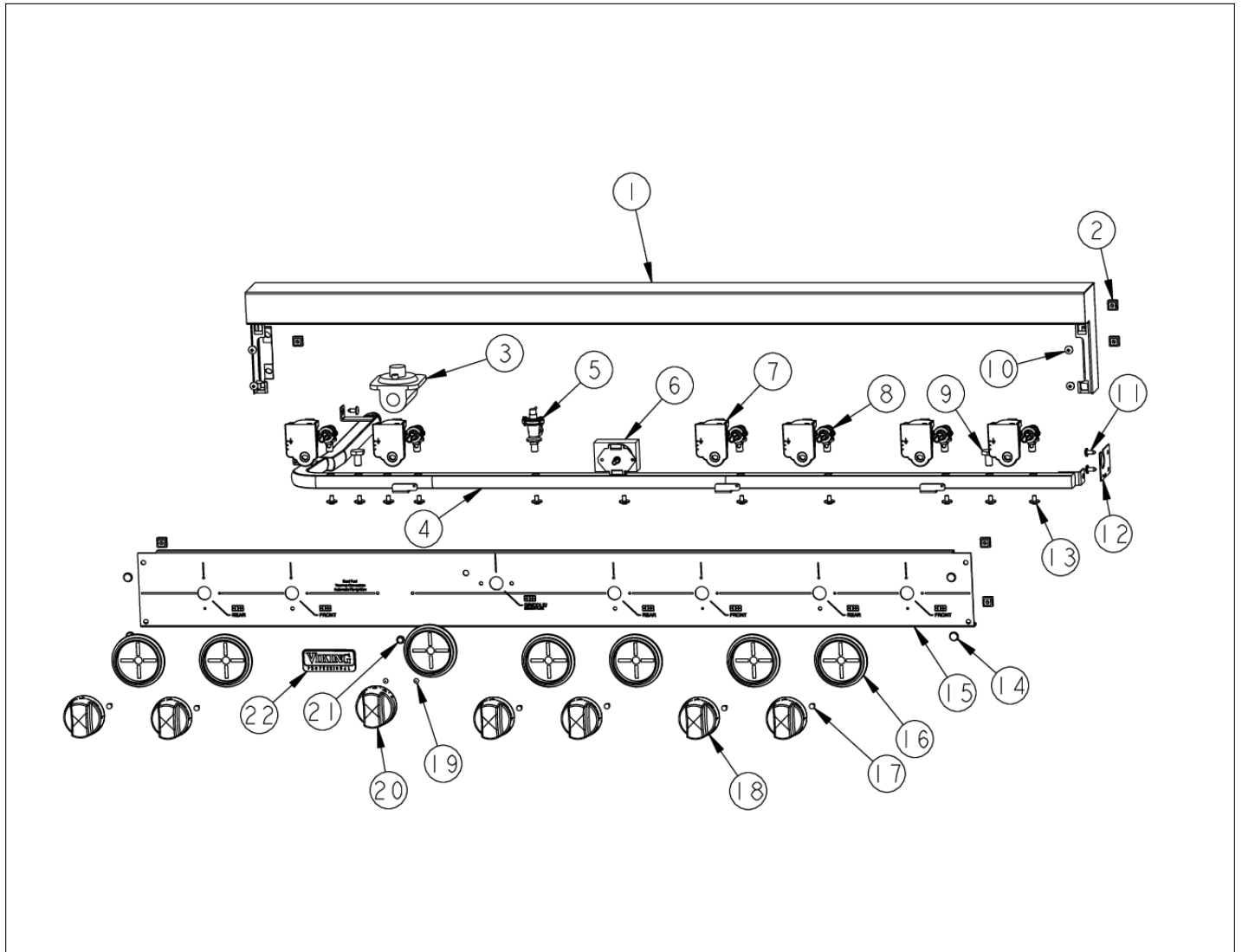
Item	Part No.	Name	Qty	Uom	NOTES
1	A20011234	BURNER BOX SUPPORT	1	EA	Not available online / Call for pricing and availability
2	PD020076	6-32 X 3/8" PHILL PAN MS	1	EA	
3	002153-000	SIDE PANEL, LH - NLA	1	EA	NO LONGER AVAILABLE
4	A1008487	SERVICE DISCONNECT BRACKET	1	EA	
5	000573-000	POWER JUMPER WIRE	1	EA	
6	PB040194	Orifice - Nat.	6	EA	
Not Shown	NOTE	(Before 12/18/07)		EA	
6	001396-040	15K NG ORIFICE	6	EA	
Not Shown	NOTE	(After 12/18/07)		EA	
Not Shown	PB040217	L.P. ORIFICE	6	EA	
Not Shown	NOTE	(Before 12/18/07)		EA	
Not Shown	001396-044	13.5K LP ORIFICE	6	EA	
Not Shown	NOTE	(After 12/18/07)		EA	
7	PB020193	16" FLEX TUBING W/CONNECTORS	1	EA	
8	PA080075	Burner Body	6	EA	
Not Shown	NOTE	(Before 12/18/07)		EA	
Not Shown	001394-042	15000 BTU NAT JETHOLDER	6	EA	
Not Shown	NOTE	(After 12/18/07)		EA	
Not Shown	001394-043	13500 BTU LP JETHOLDER	6	EA	
Not Shown	NOTE	(After 12/18/07)		EA	
9	PA050086	5/8" MALE FLARE FITTING	6	EA	Not available online / Call for pricing and availability
10	A2006748	Burner Box Side - LH	1	EA	





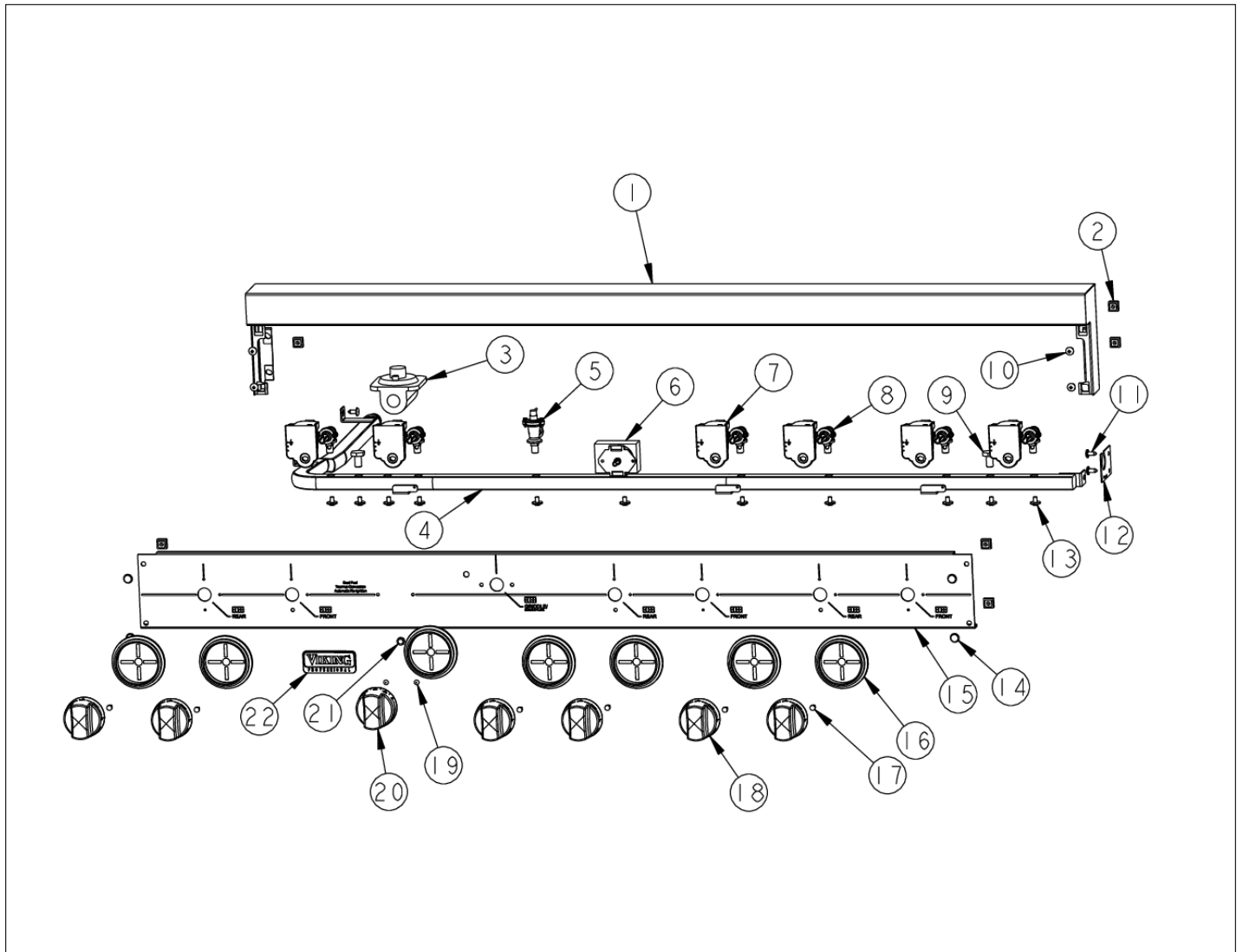
Item	Part No.	Name	Qty	Uom	NOTES
11	PD020032	SRW-8(A)X3/8"PH.WFR HD 7/16DIA*NICL	14	EA	
12	PE070071	Disconnect Block - Female	1	EA	
13	PD020002	10 X 1/2 PH.TR.HD.SMS.	10	EA	
14	PK000007	DRIP TRAY GUIDE - LH (VGRT)	1	EA	NO LONGER AVAILABLE
15	PE070128	Supply Cord	1	EA	
16	PD040005	SNAP BUSHING - 7/8"	1	EA	
17	PC040010	POP RIVET (.063/GR -.125) GAMD42-A	10	EA	
18	PK000008	Drip Tray Guide - RH	1	EA	NO LONGER AVAILABLE
19	A2006747	Burner Box Side - RH	1	EA	
20	PB070034	INSULATION-TRS-10 1" X 20" X 77' ROLL	1	EA	
21	002152-000	SIDE PANEL, RH	1	EA	NO LONGER AVAILABLE, Not available online / Call for pricing and availability
22	PD030109	INSULATED CLAMP	2	EA	
23	PD020010	10 X 3/8 GREEN GROUNDING SCREW	1	EA	
24	A20012051	REAR SHIELD VGIC487	1	EA	
25	PB020192	10" FLEX TUBING W/CONNECTORS	1	EA	

CONTROL AREA



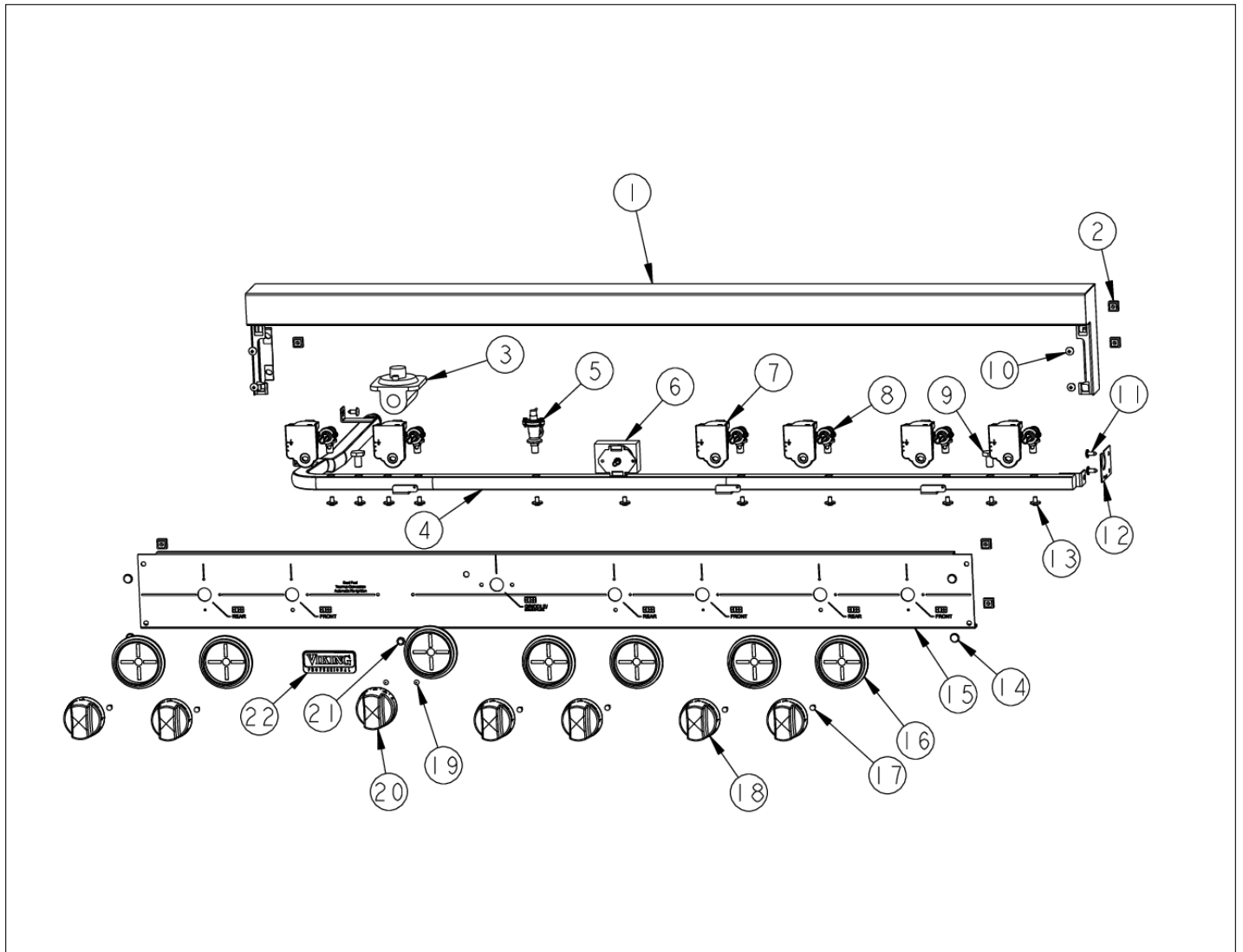


Item	Part No.	Name	Qty	Uom	NOTES
1	G3009843	SEALED LANDING LEDGE ASSY 48"	1	EA	
2	PD030005	SELF RETAINING NUT	8	EA	
3	PA070003	PRESSURE REGULATOR	1	EA	
4	002569-000	UNIVERSAL 48" MANIFOLD	1	EA	
Not Shown	002569-000	UNIVERSAL 48" MANIFOLD	1	EA	
5	007147-000	SHUTOFF VALVE ASSY	1	EA	
6	PB010264	GRIDDLE THERMOSTAT	1	EA	
7	PA020058	IRIS SINGLE SPARK MODULE	6	EA	
8	003517-000	PA010158 VALVE AND BOLT KIT	6	EA	
9	PA010012	ROPER PLUG	30	EA	
10	PD010003	10-24 X 1/2 PH.TR.HD.SERD.M.S.	4	EA	
11	PD020002	10 X 1/2 PH.TR.HD.SMS.	12	EA	
12	A1001138	MANIFOLD BRKT	1	EA	NO LONGER AVAILABLE, Not available online / Call for pricing and availability
13	PD010012	1/4 x 3/8 VALVE BOLT	11	EA	
14	PD020033	SRW-#10-24X1/2"T(23)PH.WFR HD (NKL)	4	EA	
15	B9202380	CTRL PAN- (VGRT480-6G)*SLK SCR*	1	EA	
Not Shown	C9202380AL	CONTROL PANEL VGRT480-6G *AL* SILK SCR	1	EA	NO LONGER AVAILABLE, Not available online / Call for pricing and availability
Not Shown	C9202380BK	CTRL PAN- *BK* (VGRT480-6G) *SLK SC	1	EA	NO LONGER AVAILABLE
Not Shown	C9202380BT	CONTROL PANEL VGRT480-6G *BT* SILK SCR	1	EA	NO LONGER AVAILABLE, Not available online / Call for pricing and availability
Not Shown	C9202380BU	CONTROL PANEL VGRT480-6G *BU* SILK SCR	1	EA	NO LONGER AVAILABLE, Not available online / Call for pricing and availability





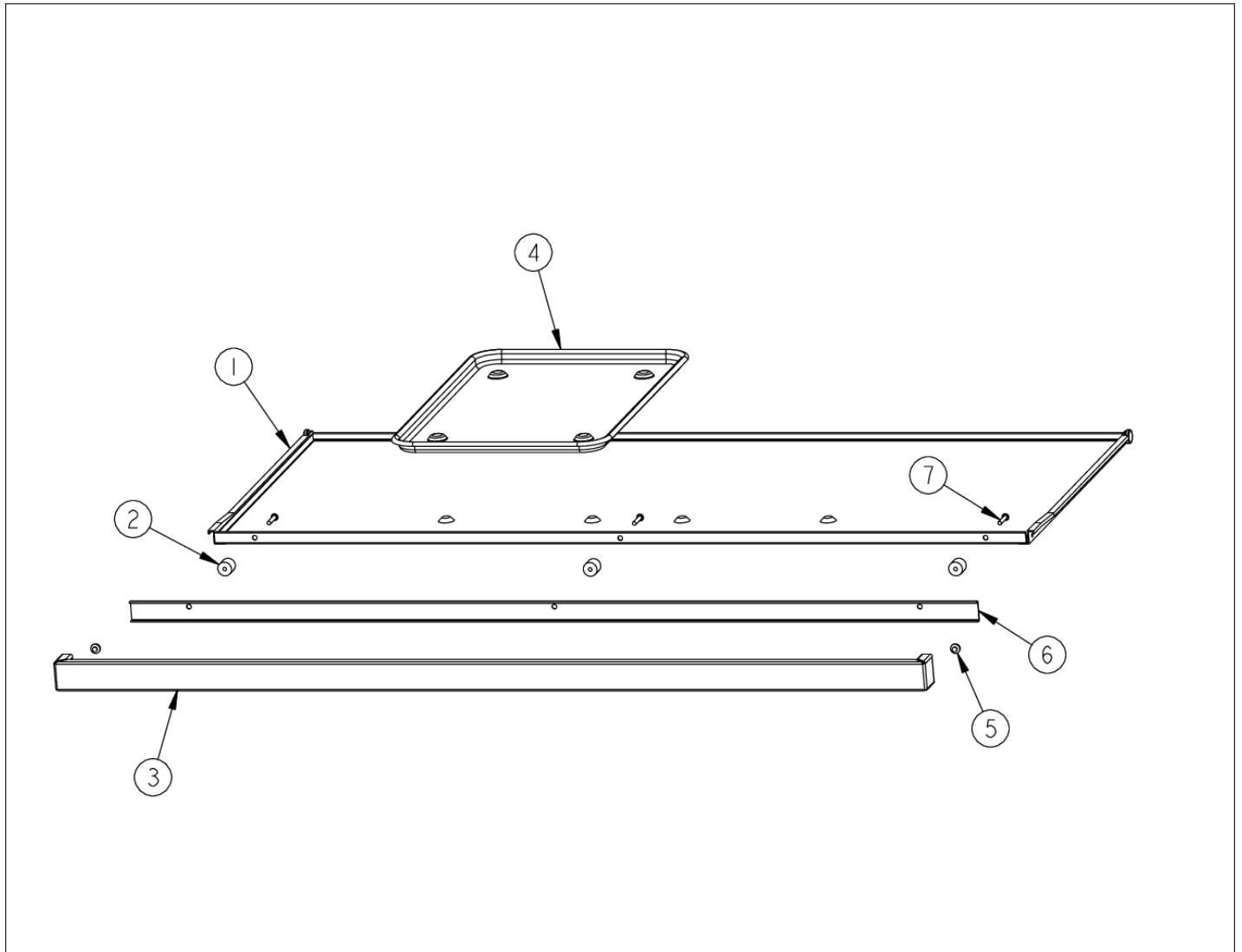
Item	Part No.	Name	Qty	Uom	NOTES
Not Shown	C9202380CB	CONTROL PANEL VGRT480-6G *CB* SILK SCR	1	EA	NO LONGER AVAILABLE, Not available online / Call for pricing and availability
Not Shown	C9202380EP	CONTROL PANEL VGRT480-6G *EP* SILK SCR	1	EA	NO LONGER AVAILABLE, Not available online / Call for pricing and availability
Not Shown	C9202380FG	CONTROL PANEL VGRT480-6G *FG* SILK SCR	1	EA	NO LONGER AVAILABLE, Not available online / Call for pricing and availability
Not Shown	C9202380GG	CONTROL PANEL VGRT480-6G *GG* SILK SCR	1	EA	NO LONGER AVAILABLE, Not available online / Call for pricing and availability
Not Shown	C9202380LE	CONTROL PANEL VGRT480-6G *LE* SILK SCR	1	EA	NO LONGER AVAILABLE
Not Shown	C9202380MJ	CONTROL PANEL VGRT480-6G *MJ* SILK SCR	1	EA	NO LONGER AVAILABLE, Not available online / Call for pricing and availability
Not Shown	C9202380SG	CONTROL PANEL VGRT480-6G *SG* SILK SCR	1	EA	NO LONGER AVAILABLE, Not available online / Call for pricing and availability
Not Shown	C9202380VB	CONTROL PANEL VGRT480-6G *VB* SILK SCR	1	EA	NO LONGER AVAILABLE, Not available online / Call for pricing and availability
Not Shown	C9202380WH	CTRL PAN- *WH* (VGRT480-6G)*SLK	1	EA	NO LONGER AVAILABLE, Not available online / Call for pricing and availability
16	050172-000	BEZEL, KNOB	6	EA	
PB010304	050172-000	BEZEL, KNOB	6	EA	
Not Shown	PB010209	Bezel - BR	6	EA	
17	PD020067	' #6 X 3/8" PAN PHIL. TEK *SS*	3	EA	
18	PB010206	TOP BURNER KNOB BK	6	EA	
Not Shown	010914-000	KNOB, BNR, BK	1	EA	





Item	Part No.	Name	Qty	Uom	NOTES
Not Shown	PB010207	TOP BURNER KNOB WH	6	EA	Not available online / Call for pricing and availability
19	PD020006	' #6-32 X 1/4" PH.PAN HD. T(F)	11	EA	
20	PB010103	GRIDDLE KNOB N/S *BK*	1	EA	
Not Shown	PB010104	GRIDDLE KNOB N/S *WH*	1	EA	
21	PE050023	OVEN IND. LIGHT (LENS & BEZEL)	1	EA	
Not Shown	PE050024	OVEN IND. LIGHT (LIGHT HOUSING)	1	EA	
<p>Comments for Part Num. PE050024</p> <p>haarnink@vikingrange.com on Jan 14, 2019</p> <p>please note that the indicator light is now part 043135-000 but needs the Jumper harness 051443-000. and second option there are units in the field with a 230V indicator light part number 036566-000.</p> <p>please check this for all "E" module ranges/Tops</p>					
22	PE010142	3" VIKING LOGO BLACK/CHROME	1	EA	
Not Shown	PE010143	3" LOGO BK/BR	1	EA	
Not Shown	PE010144	3" LOGO *WH*CHROME	1	EA	NO LONGER AVAILABLE
Not Shown	PE010145	LOGO - WH / BR	1	EA	

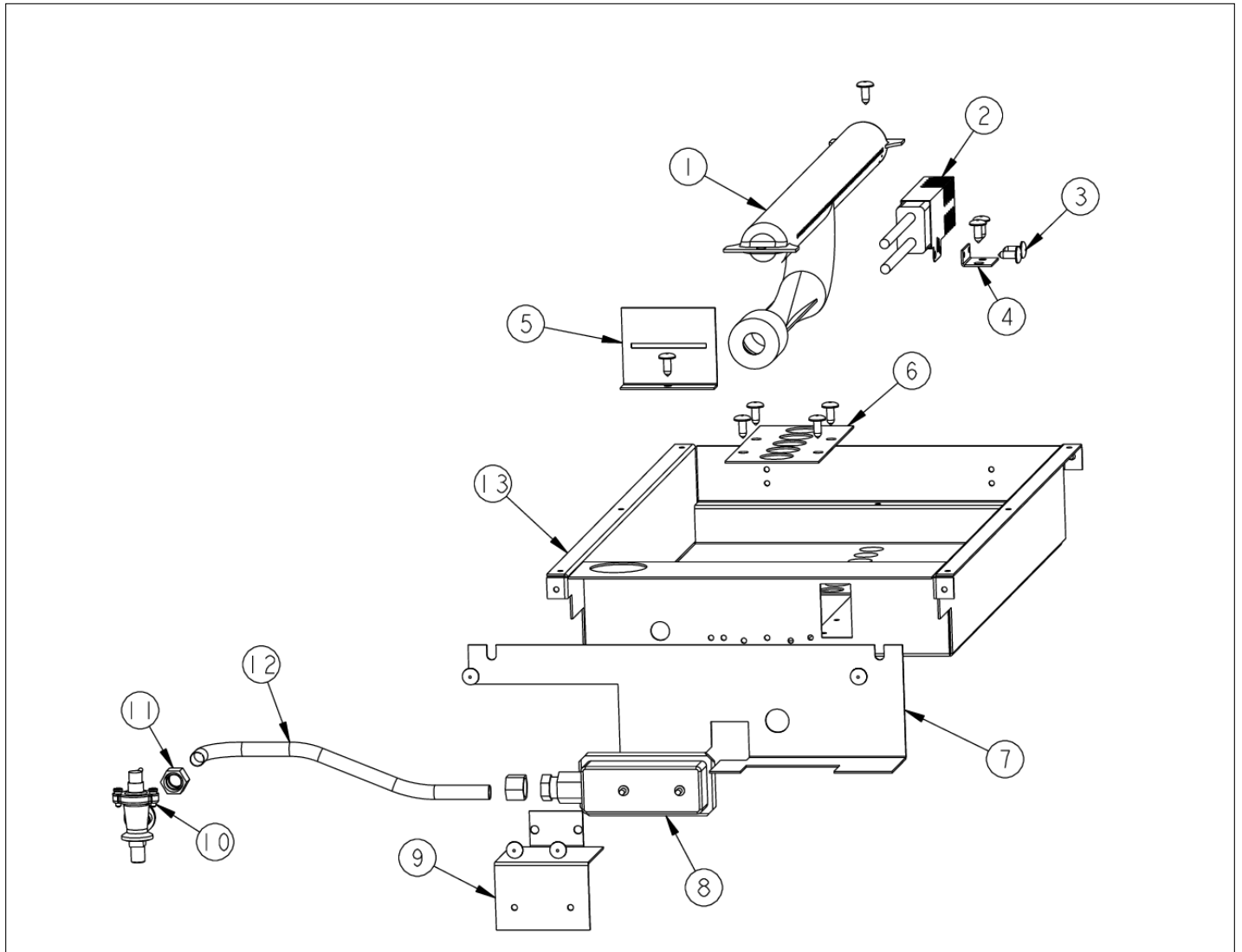
DRIP TRAY





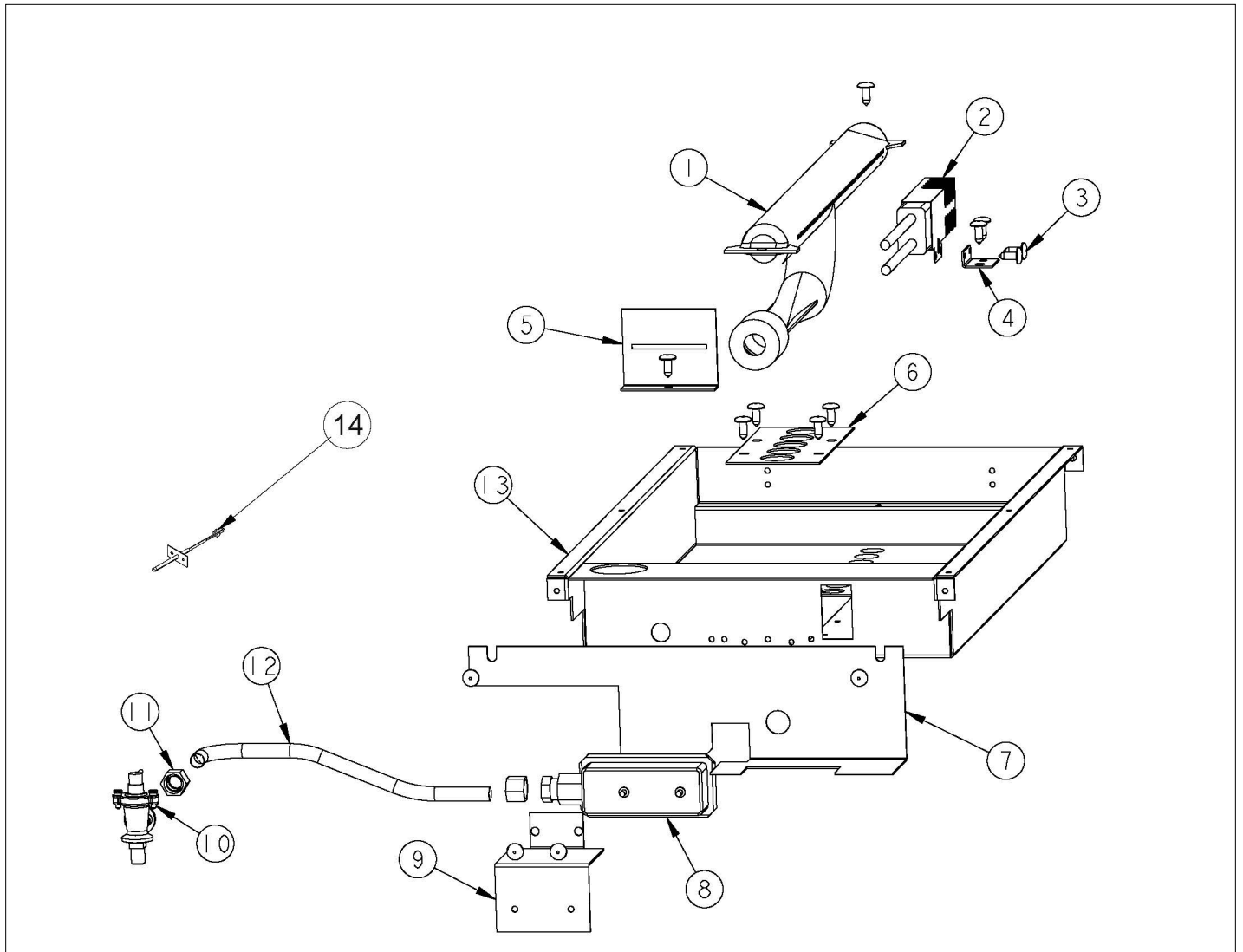
Item	Part No.	Name	Qty	Uom	NOTES
1	G30013336	48" DRIP TRAY ASSY. 6Q &4GQ - NLA	1	EA	
2	PD040028	BUSHING(.194ID/.750OD/.750L ONG)	3	EA	
3	G30010697	DRIP TRAY HANDLE ASSY 48"	1	EA	
Not Shown	G93011461PVD	DRIP TRAY HANDLE ASSY 48" PVD - NLA	1	EA	
4	J2101749	GREASE PAN	1	EA	
5	PD040004	GROMMET BUMPER	2	EA	
6	A20010693	DRIP TRAY HANDLE BACK 48	1	EA	
7	PD020079	#10 X 1 1/4 PH. PAN HD. T(A) NYLOK	3	EA	

GRIDDLE SUBASSEMBLY

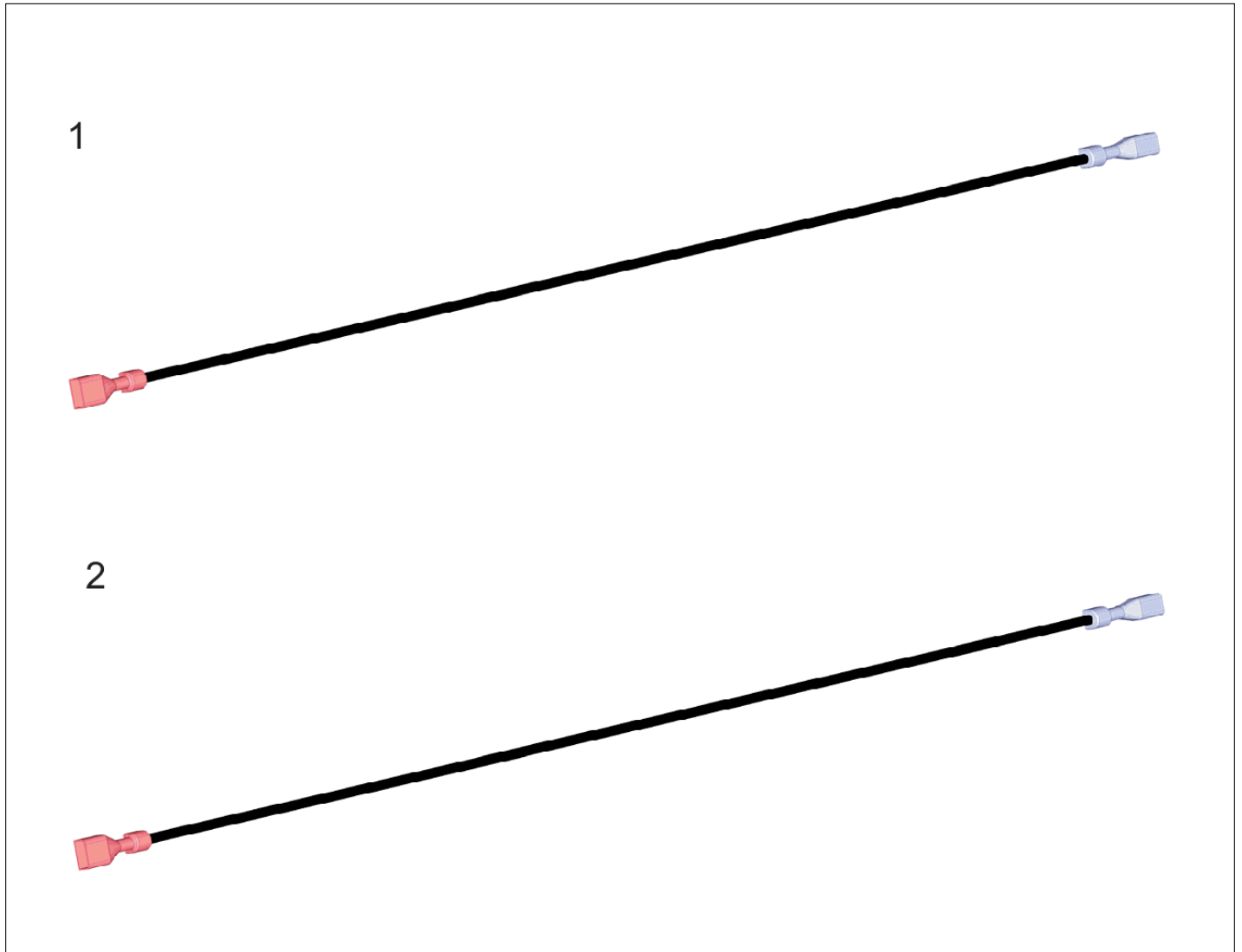




Item	Part No.	Name	Qty	Uom	NOTES
1	PB050074	Griddle Burner	1	EA	
2	PB040001	Igniter	1	EA	
3	PD020002	10 X 1/2 PH.TR.HD.SMS.	30	EA	
4	A2001300	Griddle Igniter Bracket	1	EA	
5	A2009580	Griddle Burner Bracket	1	EA	
6	A1007861	Griddle Venturi Cover	1	EA	Not available online / Call for pricing and availability
7	A20010470	Component Shield	1	EA	
8	PB010004	SINGLE SAFETY VALVE (NAT. GRIDDLE)	1	EA	
9	A2007867	Griddle Valve Bracket	1	EA	Not available online / Call for pricing and availability
10	007147-000	SHUTOFF VALVE ASSY	1	EA	
11	PB040192	3/8" CC FERREL (DGCU)	6	EA	
Not Shown	PB040213	3/8" COMPRESSION NUT (DGCU)	6	EA	
12	PB020116	TUBING - 10" FLEXIBLE 12 & 24"	6	EA	
13	A2007862	Sealed Griddle Box	1	EA	
14	PE050206	RTD THERMOSTAT PROBE	1	EA	



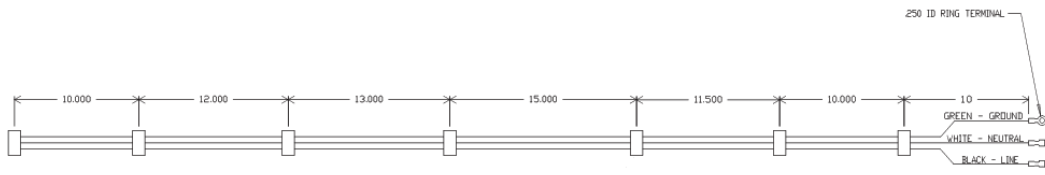
IGNITER WIRES





Item	Part No.	Name	Qty	Uom	NOTES
1	000647-000	IRIS IGNITOR WIRE, FRONT BURNER	1	EA	
2	006766-000	IRIS IGNITOR WIRE, BACK BURNER	1	EA	

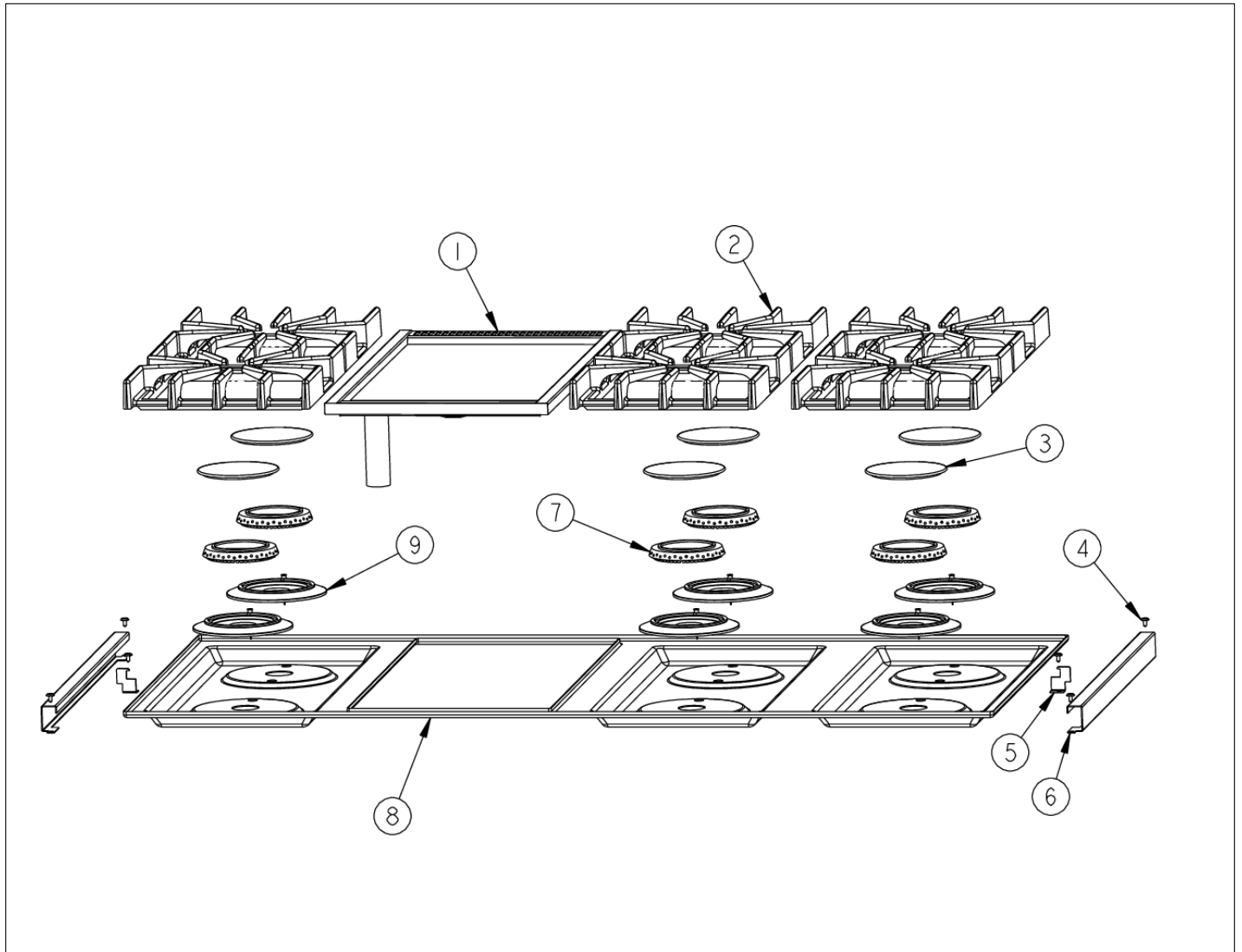
1





Item	Part No.	Name	Qty	Uom	NOTES
1	PE070891	IRIS HARNESS - 48"	1	EA	

SURFACE COOKING AREA





Item	Part No.	Name	Qty	Uom	NOTES
1	003208-000	12" SEALED GRIDDLE FRAME ASSY	1	EA	
2	PA060054	Burner Grate - BK	6	EA	
3	PA080083	D BURNER CAP *MATTE BLACK*	6	EA	
4	PD020032	SRW-8(A)X3/8"PH.WFR HD 7/16DIA*NICL	10	EA	
5	A2007858	SIDE TRIM BRKT	2	EA	
6	B2007851	Side Trim - SS	1	EA	
Not Shown	C9307851BR	Side Trim - BR	1	EA	Not available online / Call for pricing and availability
7	PB050063	Burner Head	6	EA	
Not Shown	NOTE	(Before 12/18/07)		EA	
001386-000	018200-000	ADJUSTED SEALED BURNER HEAD	6	EA	
Not Shown	NOTE	(After 12/18/07)		EA	
8	E9109801BK	48" SEALED COOKTOP 6BG & 6BQ *BK*	1	EA	
Not Shown	E9109801WH	48" SEALED COOKTOP 6BG & 6BQ *WH*	1	EA	NO LONGER AVAILABLE
9	PB050081	BURNER BASE ASM	4	EA	
Not Shown	NOTE	(INCLUDES IGNITER) - BEFORE 12/18/07		EA	
Not Shown	003322-040	SEALED BURNER BASE, TURNED FINISH	4	EA	
Not Shown	NOTE	(INCLUDES IGNITER) - AFTER 12/18/07		EA	
NI	009197-000	#6-32 X 5/8 18-8 SS NC SOC CAP	7	EA	
Not Shown	NOTE	(After 12/18/07)		EA	



Appendix A:Pages Index

000837-000 1
000878-000 2
000879-000 3
BURNER BOX INTERIOR 4
CONTROL AREA 5
DRIP TRAY 6
GRIDDLE SUBASSEMBLY 7
IGNITER WIRES 8
PE070891 9
SURFACE COOKING AREA 10



Appendix B:Parts Index

000573-000	4	C9202380BT	5
000647-000	8	C9202380BU	5
000837-000	1	C9202380CB	5
000878-000	2	C9202380EP	5
000879-000	3	C9202380FG	5
001394-042	4	C9202380GG	5
001394-043	4	C9202380LE	5
001396-040	4	C9202380MJ	5
001396-044	4	C9202380SG	5
002152-000	4	C9202380VB	5
002153-000	4	C9202380WH	5
002569-000	5, 5	C9307851BR	10
003208-000	10	E9109801BK	10
003322-040	10	E9109801WH	10
003517-000	5	G30010697	6
006766-000	8	G30013336	6
007147-000	5, 7	G3009843	5
009197-000	10	G93011461PVD	6
010914-000	5	J2101749	6
018200-000	10	PA010012	5
027347-000	1	PA020058	5
050172-000	5, 5	PA050086	4
A1001138	5	PA060054	10
A1007861	7	PA070003	5
A1008487	4	PA080075	4
A20010470	7	PA080083	10
A20010693	6	PB010004	7
A20011234	4	PB010103	5
A20012051	4	PB010104	5
A2001300	7	PB010206	5
A2006747	4	PB010207	5
A2006748	4	PB010209	5
A2007858	10	PB010264	5
A2007862	7	PB020116	7
A2007867	7	PB020192	4
A2009580	7	PB020193	4
B2007851	10	PB040001	7
B9202380	5	PB040192	7
C9202380AL	5	PB040194	4
C9202380BK	5	PB040213	7
		PB040217	4



PB050063 10
PB050074 7
PB050081 10
PB070034 4
PC040010 4
PD010003 5
PD010012 5
PD020002 4, 5, 7
PD020006 5
PD020010 4
PD020032 4, 10
PD020033 5
PD020067 5
PD020076 4
PD020079 6
PD030005 5
PD030109 4
PD040004 6
PD040005 4
PD040028 6
PE010142 5
PE010143 5
PE010144 5
PE010145 5
PE050023 5
PE050024 5
PE050206 7
PE070071 4
PE070128 4
PE070891 9
PK000007 4
PK000008 4